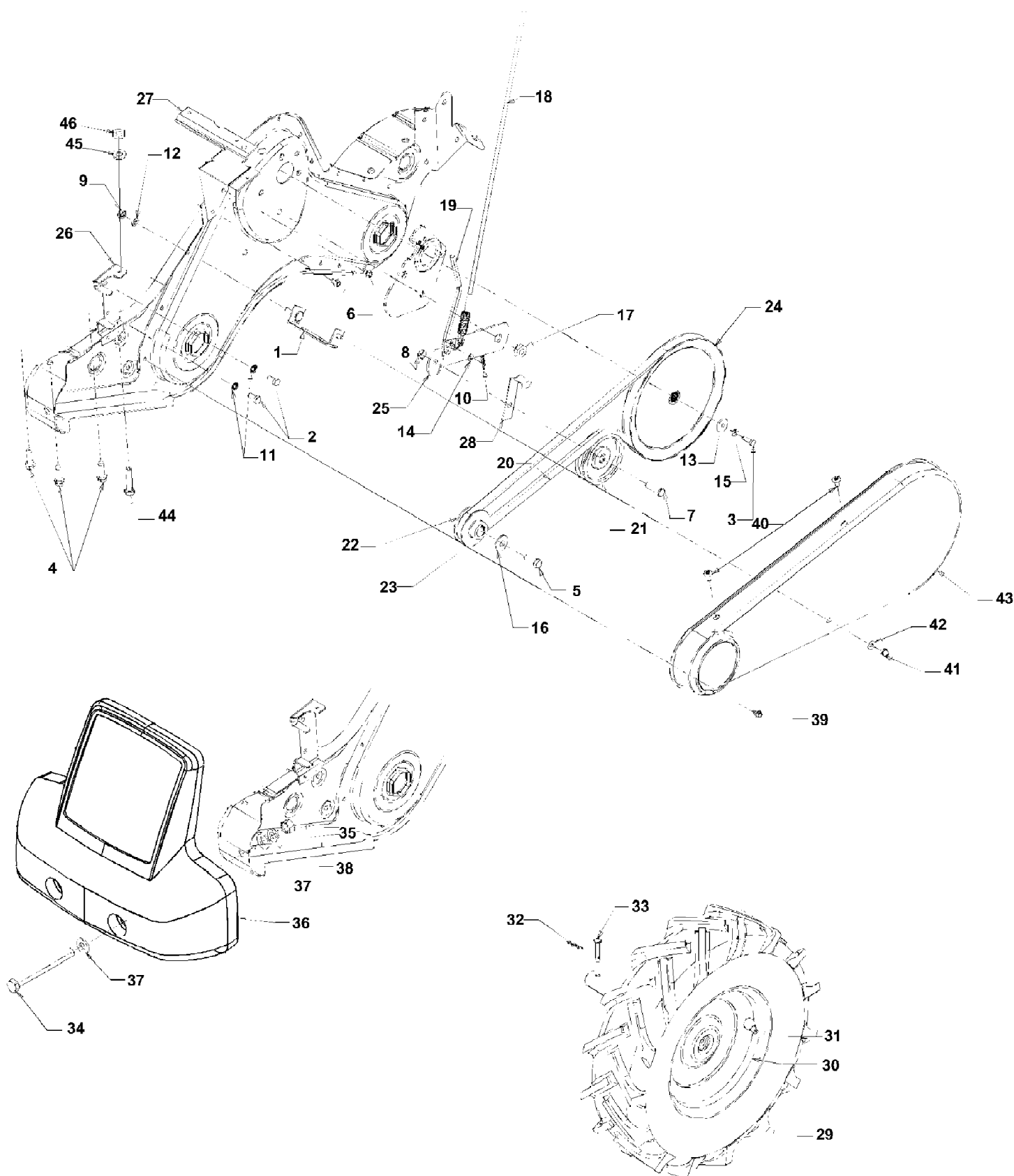


21AB454B190 RB-650 (2001)  
Drive And Wheels

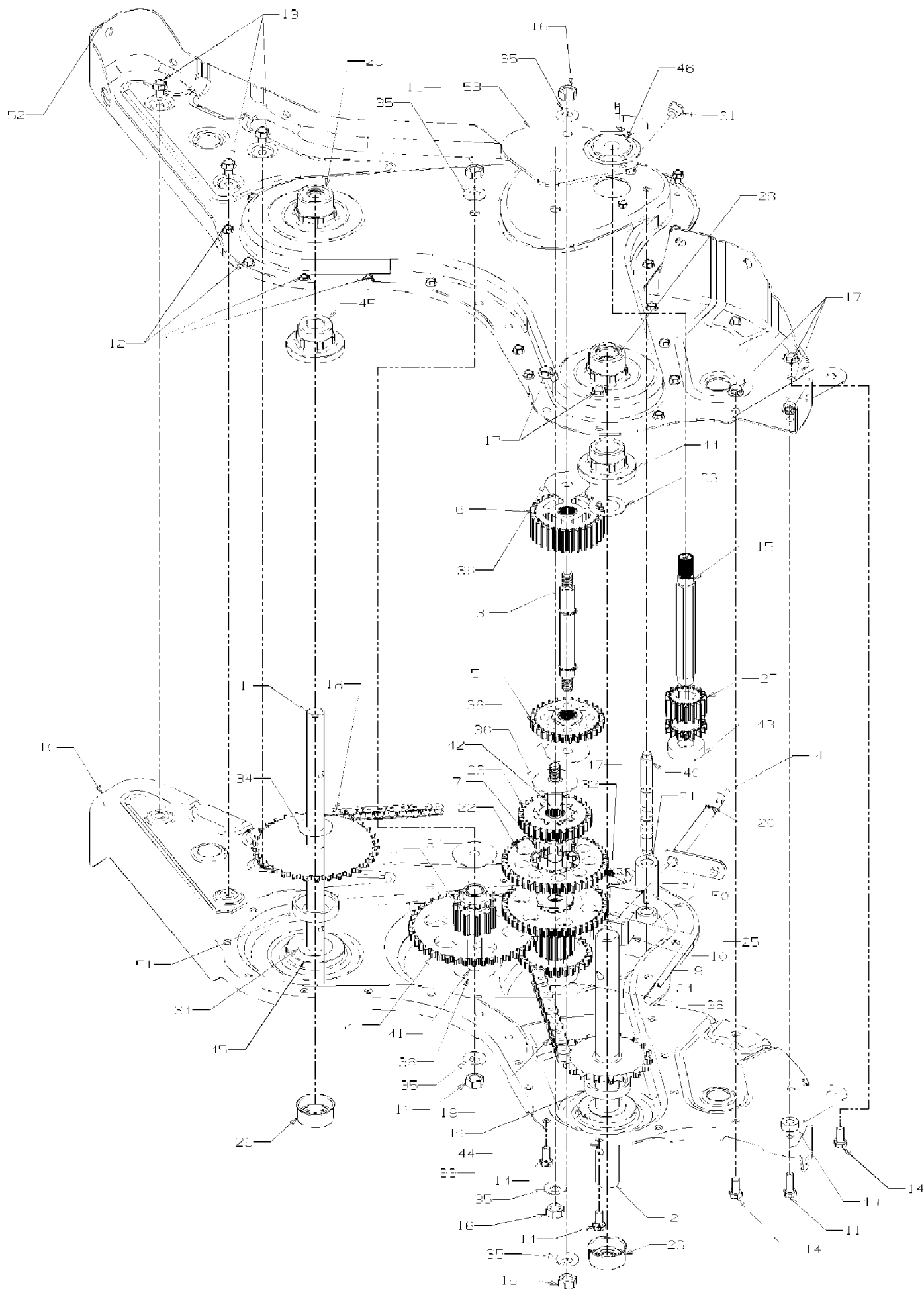


21AB454B190 RB-650 (2001)  
Drive And Wheels

Page 2 of 7

Ref #	Part Number	Qty	S/P/F	Description
1	686-0111	1	S	Belt Cover Brkt. Ass'y
2	710-0237	1	/P	Hex Bolt 5/16-24 x .62" Lg.
3	710-0412	1	/P	Hex Bolt 1/4-28 x .75" Lg.
4	710-0502A	1	/P	Hex Wash.TT-Sems Screw 3/8-16 x 1.250" Lg.
5	710-0591	1	/P	Hex Bolt 3/8-24 x 1.00
6	710-0599	1	/P	Hex Wash. Hd. S-Tap Scr.
7	710-0723	1	/P	Hex Cap Screw 3/8-16 x 1.25
8	712-0266	1	S	Ctr. Lock Jam Nut 3/8-16
9	712-0267	1	S	Hex Nut 5/16-18
10	714-0104	1	S	Internal Cotter Pin
11	736-0104	1	S	Hairpin Clip
12	736-0119	1	S	L-Wash. 5/16" I.D.
13	736-0176	1	S	FI-Wash. 1/4 I.D. x .93 O.D.
14	736-0271	1	S	Spring-Wash. .317 x .625 O.D. x .099
15	736-0329	1	S	L-Wash. 1/4" I.D.
16	736-0452	1	S	Bell-Wash. .396 x 1.140 x .095
17	738-0876	1	S	Shld. Nut 7/16-20
18	746-1117	1	S	Clutch Cable w/eyebolt
19	747-1159	1		Idler Pulley Rod
20	754-0434	1	S	Belt: 4L x 58.16 Lg.
21	756-0405	1	/P	FI-Idler w/Flange 3.75" O.D.
22	756-0971	1		Outer Engine Pulley Half
23	756-0972	1		Inner Engine Pulley Half
24	756-1162	1		Input Pulley
25	786-0064A	1		Idler Bracket
26	786-0186	1	S	Belt Keeper Brkt.
27	786-0187	1	S	Shift Cover Brkt.
28	786-0193	1	S	Idler Belt Keeper
29	634-0106	1		RH Wheel Ass'y Comp. 16.0 x 4.0
	634-0107	1		LH Wheel Ass'y Comp. 16.0 x 4.0
	734-0808	1	S	Tire Only 16.0 x 4.0
30	634-0108	1		Wheel Rim Ass'y Comp.
31	734-0255	1	S	Air Valve
32	711-1017	1	/P	Clevis Pin
33	714-0104	1	S	Internal Cotter Pin
34	710-0382	1		Hex Bolt 1/2-13 x 5.00" Lg.
35	712-0206	1	S	Hex Nut 1/2-13 Thd.
36	723-0381	1		Counterweight
37	736-0326	1	S	FI-Wash. .510" I.D. x 1.0" O.D.
38	736-0921	1	S	L-Wash. 1/2" Lg.
39	710-0653	1	/P	Hex Screw 1/4-20 x .375" Lg.
40	710-1017	1	/P	Screw 1/4-14 x .625" Lg.
41	712-0392	1	/P	Acorn Lock Nut
42	736-0463	1	S	FI-Washer 1/4 x .620" Lg.
43	784-0158A	1	/P	Belt Cover
44	710-0805	1	/P	Hex Bolt 5/16-18 x 1.50" Lg.
45	736-0242	1	/P	Bell-Wash .340 I.D. x .872 O.D.
46	712-3010	1	S	Nut: Hex 5/16-18
	737-0298	1	/P	Oil Drain Tube (Not Shown)
	737-0132	1		End Cap (Not Shown)

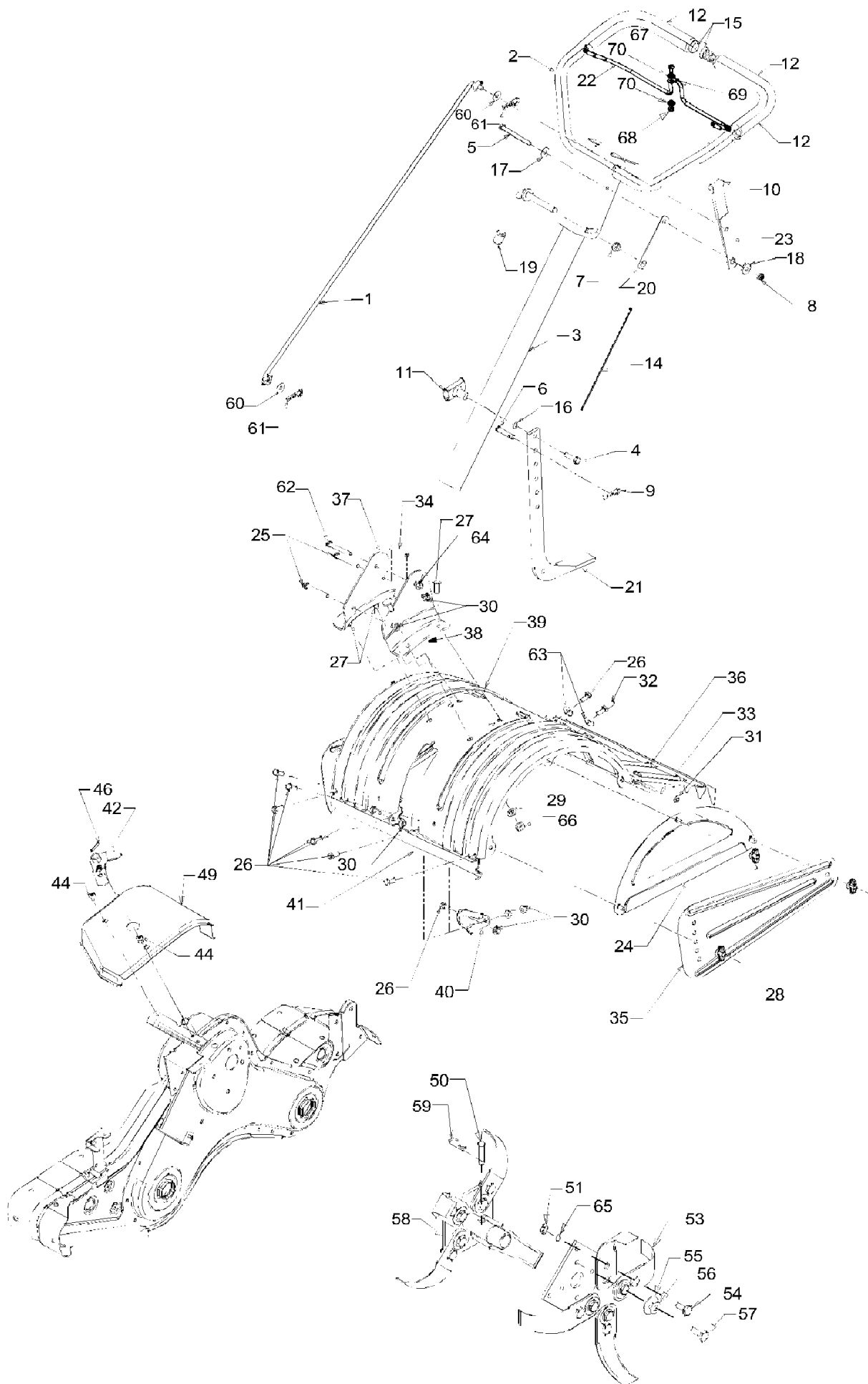
21AB454B190 RB-650 (2001)  
Gear Case Assembly



21AB454B190 RB-650 (2001)  
Gear Case Assembly

Page 4 of 7

Ref #	Part Number	Qty	S/P/F	Description
1	611-0020	1	S	Wheel Shaft Ass'y: 33T
2	611-0021	1	/P	Tine Shaft Ass'y: 18T
3	611-0128	1		Jack Shaft Ass'y
4	611-0129	1		Input Shaft Ass'y
5	617-0058	1		Rev. Idler Gear Ass'y: 30T
6	617-0059	1		Ftine Idler Gear Ass'y: 30T
7	617-0060	1		Tine Input Sprocket Ass'y: 9T
8	617-0061	1		Wheel Input Sprocket Ass'y:10T
9	617-0062	1		Gear Ass'y: 11 T
10	686-0108	1	S	R.H. Housing Ass'y
11	710-0376	1	/P	Hex Bolt 5/16-18 x 1" Lg.
12	710-0599	1	/P	Hex S-Tap Scr. 1/4- 20 x .5"
13	710-0604	1	S	Hex S-Tap Scr. 5/16-18 x .625"
14	710-3008	1	/P	Hex Bolt 5/16-18 x .75"
15	711-1349	1		Input Shaft
16	712-0378	1	/P	Hex Nut 7/16-20
17	712-3004A	1	/P	Flange Nut 5/16-18
18	713-0367	1	S	#420 Chain 1/2 Pitch x 50 Links
19	713-0484	1	S	#50 Chain 5/8 Pitch x 54 Links
20	716-0865	1	/P	Snap Ring
21	717-0853	1	S	Shifting Fork
22	717-1582	1		Spur Gear 44T
23	717-1583	1		Spur Gear 30T
?24	717-1584	1		Spur Gear 30T
25	717-1585	1		Spur Gear 44T
26	717-1587	1		Spur Gear 44T
27	717-1594	1		Spur Gear 16T
28	721-0378	1	S	Seal 1.0 Shaft
29	721-0379	1	/P	Seal .75 Shaft
31	726-0277	1		Taper Cap Ring
32	732-0496	1	S	Compression Spring .50" Lg.
33	736-0163	1	S	Thrust Wash. 1.03" I.D. x 1.62"
34	736-0351	1	S	FI-Wash.76" I.D. x 1.5" O.D.
35	736-0407	1		Bell-Wash.45" I.D. x 1.0"
36	736-0518	1		Thrust Wash. .445 x 1.92 x .060
37	736-3088	1		FI-Wash 635" I.D. x 1.59 O.D.
40	738-0645	1		Detent Shaft 1/2" Dia.
41	738-0648	1		Jack Shaft .625 x 2.385
42	738-1013	1		Jack Shaft .625 x 5.0
43	741-0124	1	S	Ball Bearing
44	741-0420	1	S	Flange Bearing 1.0 x 2.5 x 1.38
45	741-0421	1		Flange Bearing .75 x 2.5 x 1.38
46	741-0563	1	S	Ball Bearing. 6692 x 5745 x
47	741-0862	1	/P	Detent Ball .250
48	750-0258	1	/P	Spacer.315
49	750-0570	1	S	Spacer 1.0 I.D x 2.0 O.D. x .440
50	750-0664	1		Spacer.505 I.D. x .88 O.D. x
51	750-0671	1	S	Spacer.75 x 2.0 x .50
52	786-0171	1	S	L.H. Chain Case Ass'y
53	786-0238	1		Gear Positioner Bracket
	737-0300	1	S	Benelene 920 Grease
	737-0288	1		Never Seez Grease
	686-0107	1		Part Case Assembly Complete



21AB454B190 RB-650 (2001)  
Handle And Tines

Page 6 of 7

Ref #	Part Number	Qty	S/P/F	Description
1	747-1152	1		Shift Rod
2	649-0041	1		Upper Handle Ass'y
3	649-0034	1		Lower Handle Ass'y
4	710-3005	1	/P	Hex Screw 3/8-16 x 1.25
5	710-3056	1		Hex Screw 5/16-18 x 3.25
6	711-0415	1	S	Clevis Pin 3/8-1.62
7	712-0379	1	/P	Flange Lock Nut 3/8-24
8	712-0429	1	S	Hex Lock Nut 5/16-18
9	714-0147	1		Cotter Pin
10	720-0313	1	/P	Grip
11	720-0210A	1	/P	T-Knob
12	720-0278A	1	/P	Foam Grip
14	726-0317	1		Cable Tie
15	735-0246	1		Plug
16	736-0117	1	S	Flat Washer 3/8 x .620 x .033
17	736-0242	1	/P	Bell Wash .340 I.D. x .872 O.D.
18	738-0958	1	S	Shoulder Spacer
19	784-0190	1		Handle Adjustment Crank
20	784-0191	1		Hex Nut Ret. Bracket
21	786-0120	1	S	Depth Stake
22	747-1219	1	S	Bail Clutch
23	786-0181	1		Shift Lever Rod
24	686-0044A	1	/P	Tine Shield Cover Ass'y
25	710-0176	1	/P	Hex Cap Screw 5/16-18 x 2.75
26	710-3008	1	/P	Hex Cap Screw 5/16-18 x .750
27	710-3097	1		Carriage Bolt 3/8-16 x 1.0
28	712-0421	1		Wing Nut
29	736-0169	1	S	Lock Washer 3/8
30	712-3004A	1	/P	Flange Nut 5/16-18
31	726-0106	1	S	Cap Nut
32	738-0849	1	S	Hex Screw 5/16-18 x .75" Lg.
33	747-0432	1		Rod
34	750-0885	1	S	Spacer .435 O.D. x .322 I.D.
35	786-0090	1		Shoulder
36	786-0113	1	/P	Tine Shield Hinge Flap
37	786-0176	1		R.H. Handle Brkt.
38	786-0177	1		L.H. Handle Brkt.
39	786-0178	1		Tine Shield
40	786-0179	1	S	Tine Shield Brkt.
41	786-0180	1	S	Shoulder Spacer Brkt.
42	686-0109	1	S	Shift Crank Ass'y
44	710-1017	1	/P	Screw 1/4-14 x .625
46	715-0120	1	S	Spirol Pin 3/16 x 1.00
49	784-0208C	1	/P	Shift Cover
50	711-0415	1	S	Clevis Pin
51	712-3054	1	/P	Hex Nut 3/8-24 Thd.
53	742-0305	1	S	13" Dia. Articulating Tine
54	738-0689	1	S	Shld. Bolt 1/2" Dia. x .175
55	736-0208	1	S	Fl-Wash. .51" I.D. x 1.50"
56	736-0253	1	S	Bell-Wash. .515" I.D. x 1.14"
57	738-0688	1	S	Shld. Bolt 1/2" Dia x .320
58	784-0160	1	S	Tine Adapter Ass'y 18"
59	714-0149B	1	S	Cotter Pin

21AB454B190 RB-650 (2001)  
Handle And Tines

Page 7 of 7

Ref #	Part Number	Qty	S/P/F	Description
60	735-0127	1	/P	Rubber Washer
61	714-0104	1	S	Cotter Pin
62	710-3022	1	/P	Hex Screw 3/8-16 x 2.75" Lg.
63	736-0204	1	/P	Flat Washer
64	712-0431	1	S	Flange Nut .344 I.D. x .62 O.D.
65	736-0169	1	S	Lock Washer
66	712-0798	1	/P	Hex Nut 3/8-16
67	710-0946	1	/P	Truss Screw 1/4-20 x .65
68	712-0324	1	/P	Hex Lock Nut 1/4-20 Gr. 8
69	726-0273	1		Battery Hose Clamp 5/16
70	736-3090	1	/P	Flat Washer .260 x .720 x .060